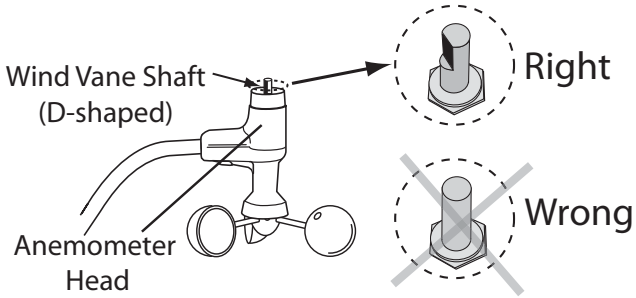


Replacement Wind Vane (7904, 7906L & 7906)

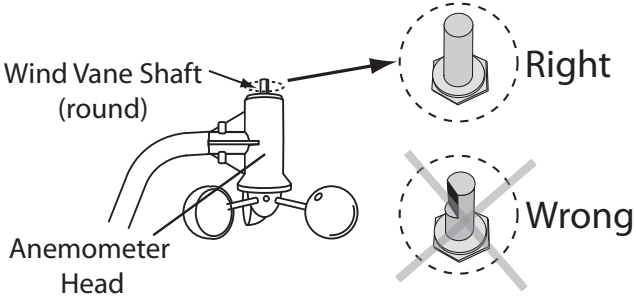
Is this the correct vane for your system?

The newest Davis anemometer has a D-shaped (in cross section) shaft on the anemometer head. Older anemometers have a round (in cross section) shaft. You must make sure that the replacement vane fits the shaft on your existing anemometer head.

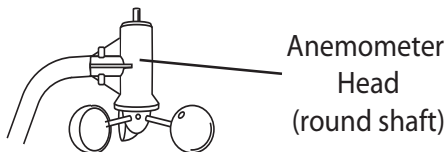
7906L or 7906: This vane is for use on a D-shaped wind vane shaft.



7904: This vane is for use on a round wind vane shaft.

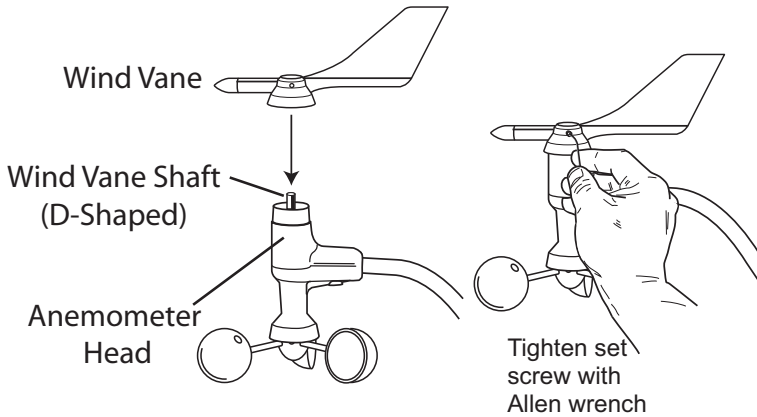


Note: If your anemometer looks like the one illustrated below, the shaft is round.



Install the new vane: 7906L or 7906, for D-Shaped Shaft

1. Remove the old vane by loosening the set screw with 0.05" Allen wrench.
2. Replace the new vane on the shaft. It will only go on one way and will be automatically correctly calibrated for wind direction when the anemometer is installed with arm pointing north.

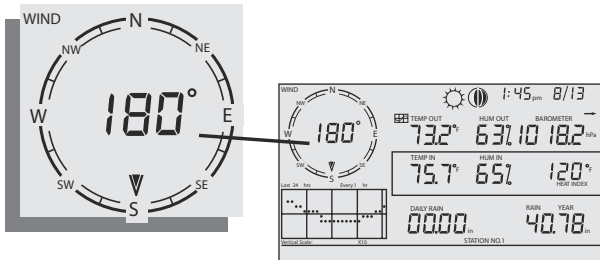


3. Remount your anemometer so that the arm is pointing true north.

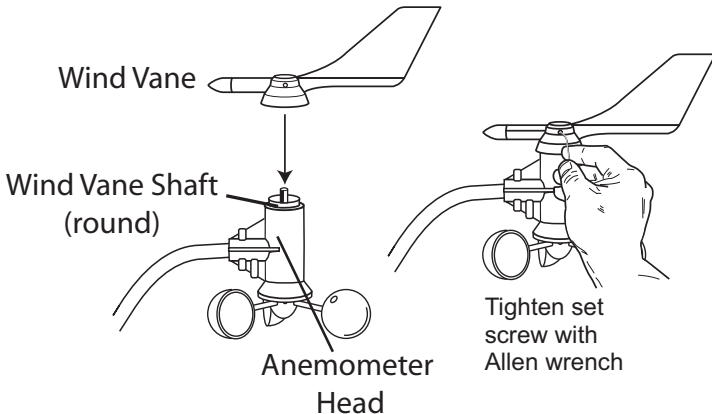
Note: If you cannot mount the anemometer with the arm pointed north, you will need to calibrate the wind direction on your console. See your *Vantage Pro2 Console User's Manual* for instructions.

Install the new vane: 7904, for Round Shaft

1. You will need your console to make sure the vane is installed for accurate wind direction. It should be showing wind in degrees inside the compass rose. (Push the WIND button until it does.)
2. Remove the old vane by loosening the set screw with a 0.05" Allen wrench.
3. Locate the wind vane shaft extending from the top of the anemometer head.
4. Look at your console as you slowly turn the wind vane shaft with your fingers. Stop when the console reads 180°.



5. Making sure the shaft does not turn (and the console continues to show 180°), lower the vane onto the shaft so that the “bullet” nose is pointing back directly over the arm.



6. Tighten the set screw with the Allen wrench.
7. Remount your anemometer so that the arm is pointed true north.

Note: If you cannot mount the anemometer with the arm pointed north, you will need to calibrate the wind direction on your console. See your *Vantage Pro2 Console User Manual* for instructions.

Contacting Davis Technical Support

For questions about installing or operating your replacement wind vane, please contact Davis Technical Support. We'll be glad to help.

Online www.davisnet.com

See the Weather Support section for copies of user manuals, product specifications, application notes, software updates, and more.

E-mail support@davisnet.com

Telephone (510) 732-7814

Monday - Friday, 7:00 a.m. - 5:30 p.m. Pacific Time.

Note: Please do not return your unit for repair without prior authorization.

Replacement Wind Vane, round shaft, product number 7904

Replacement Wind Vane, D-shaft, product number 7906, 7906L

Document Number: 07395.329 Rev. A, May 24, 2013

Vantage Pro® and Vantage Pro2™ are trademarks of Davis Instruments Corp., Hayward, CA.

© Davis Instruments Corp. 2013. All rights reserved.

Information in this document subject to change without notice. Davis Instruments Quality Management System is ISO 9001 certified.



3465 Diablo Avenue, Hayward, CA 94545-2778 U.S.A.

510-732-9229 • Fax: 510-732-9188

E-mail: info@davisnet.com • www.davisnet.com